

CONFIDENTIAL

THIS DOCUMENT, INCLUDING ALL INFORMATION HEREIN, IS THE EXCLUSIVE AND CONFIDENTIAL PROPERTY OF PALMER MANUFACTURING. THEREFORE THIS DOCUMENT IS NOT TO BE COPIED, REPRODUCED, OR DELIVERED TO OTHERS WITHOUT THE EXPRESS WRITTEN PERMISSION OF PALMER.

NOTE:

LAYOUT/ASSEMBLY w/ M100 MIXER

PALMER
MANUFACTURING & SUPPLY, INC.

18 BECHTLE AVENUE
SPRINGFIELD, OHIO 45504 U.S.A.
(937) 323-6339 OR
1-800-457-5456

SCALE: NONE

APPROVED BY:

DRAWN BY:

DATE: 08-13-03

WILLIAMS

TITLE:

CM-50 COREMAKER

PREVIOUS DWG. #:

DWG. #:

REV:

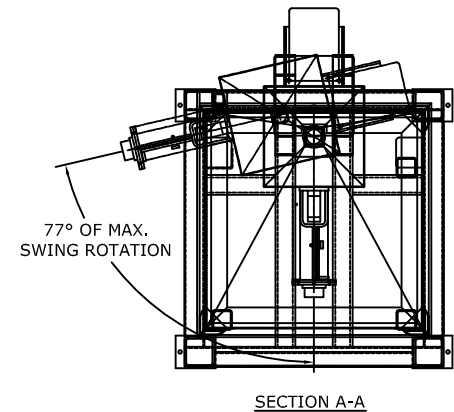
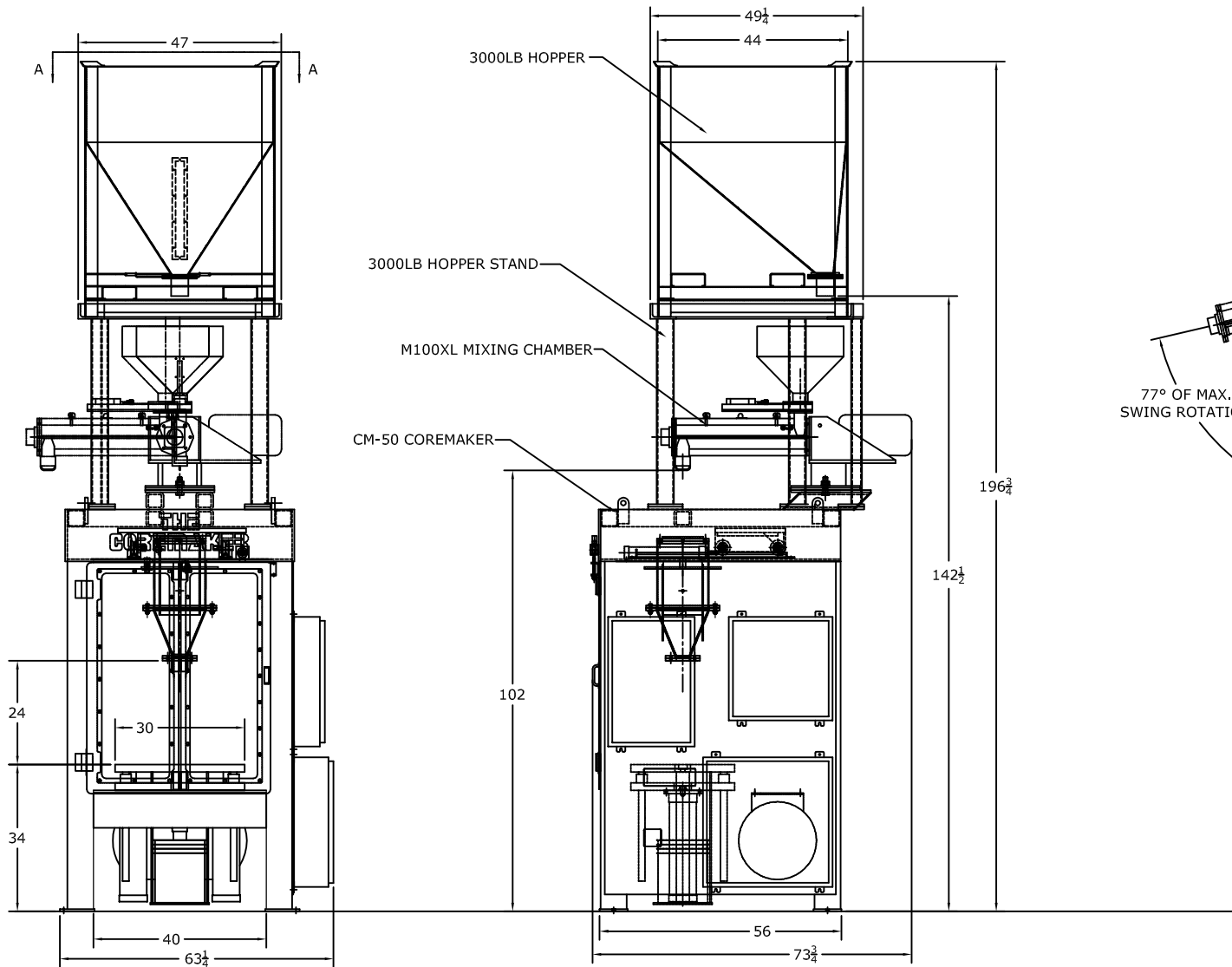
N/A

CM10007

L

PG. #:

1 OF 1



SAMPLE DRAWING
FOR QUOTATION
PURPOSES ONLY

PROPRIETARY AND CONFIDENTIAL - THE INFORMATION CONTAINED IN THIS DRAWING IS THE SOLE PROPERTY OF PALMER MANUFACTURING. ANY REPRODUCTION IN PART OR AS A WHOLE WITHOUT THE WRITTEN PERMISSION OF PALMER MANUFACTURING IS STRICTLY PROHIBITED.

REV	ECN	DATE	UNLESS OTHERWISE SPECIFIED	NAME	DATE
			DIMENSIONS ARE IN INCHES	DRAWN	SLW 7/18/06
			TOLERANCES:	APPROVED	
			FRACTIONAL ±1/16	NOTE:	
			ANGULAR: MACH ±1 BEND ±1	HOPPER/STAND	
			ONE PLACE DECIMAL ±.150	CUSTOMER	
			TWO PLACE DECIMAL ±.030	PART NO.	
			THREE PLACE DECIMAL ±.005	N/A	
			MATERIAL	TITLE	
			FINISH	CM-50 COREMAKER WITH M100XL	
			WEIGHT	SIZE DWG. NO.	
				A CM10102	
				REV	
				-	
				NONE DO NOT SCALE 1 OF 1	

PALMER 18 BECHTLE AVE
SPRINGFIELD, OH 45504 U.S.A.
(937) 323-6339
MANUFACTURING & SUPPLY, INC. (800) 457-5456